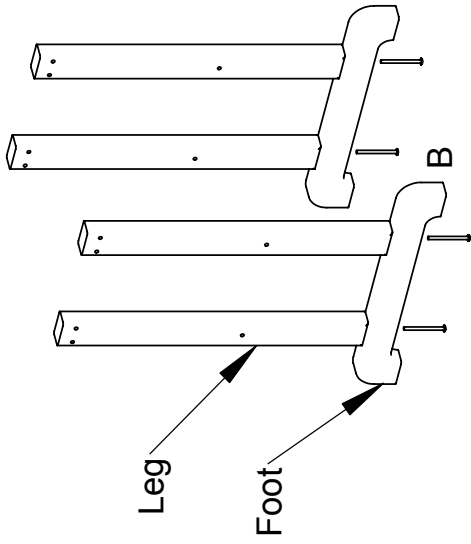


Assembly Instructions

Step 1

Attach feet to legs using (4) 3/4" Chair bolts.

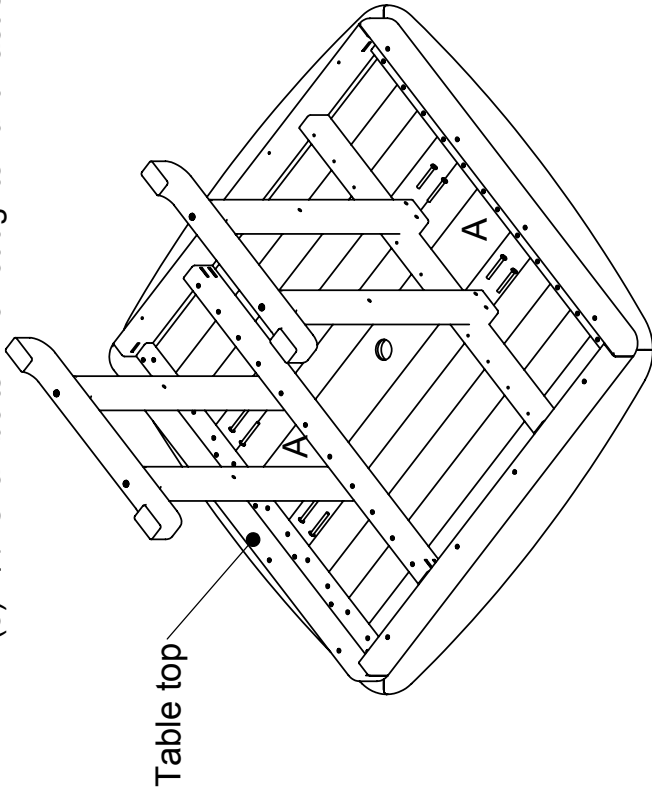


- (1) Table top
- (4) Leg
- (2) Foot
- (2) Brace
- (1) Hardware pack

Step 2

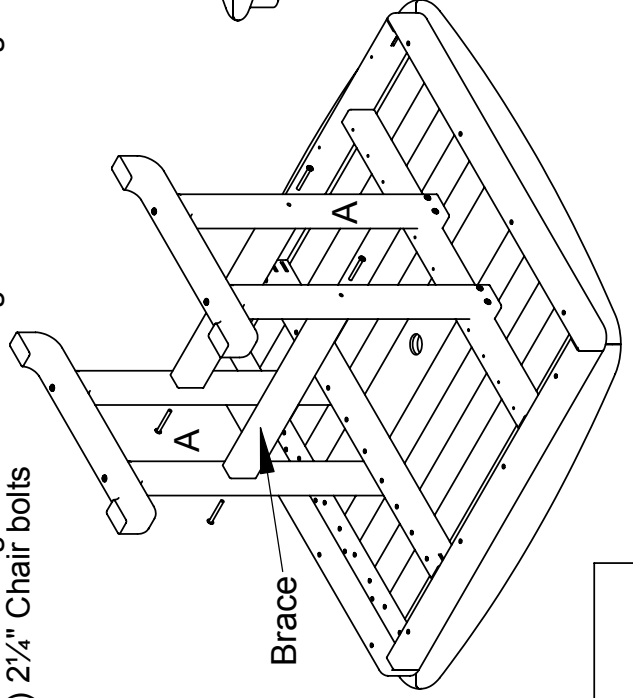
Lay table top on flat surface.

Attach the leg assemblies to the table frame using (8) 2 1/4" Chair bolts *Do not tighten until last step



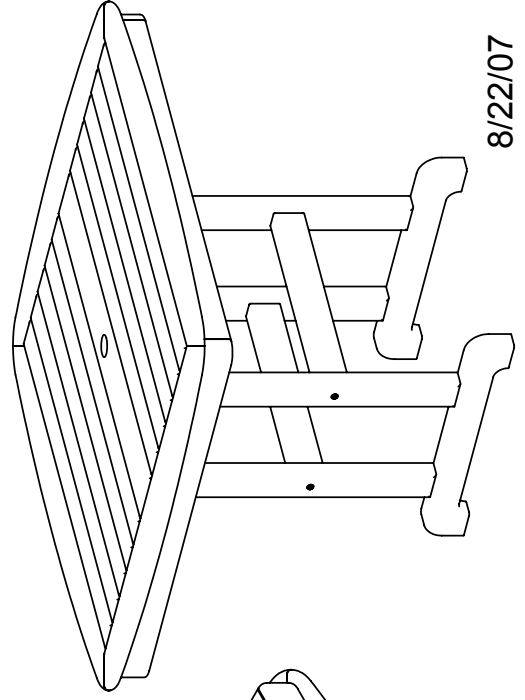
Step 3

Attach the leg braces to the leg assemblies using (4) 2 1/4" Chair bolts



Step 4

Set table upright and tighten all bolts.



TOOLS NEEDED

4mm HEX KEY: INCLUDED

Qty.	Description
1	Table plug
12	A - 2 1/4" Chair bolt
4	B - 3/4" Chair bolt