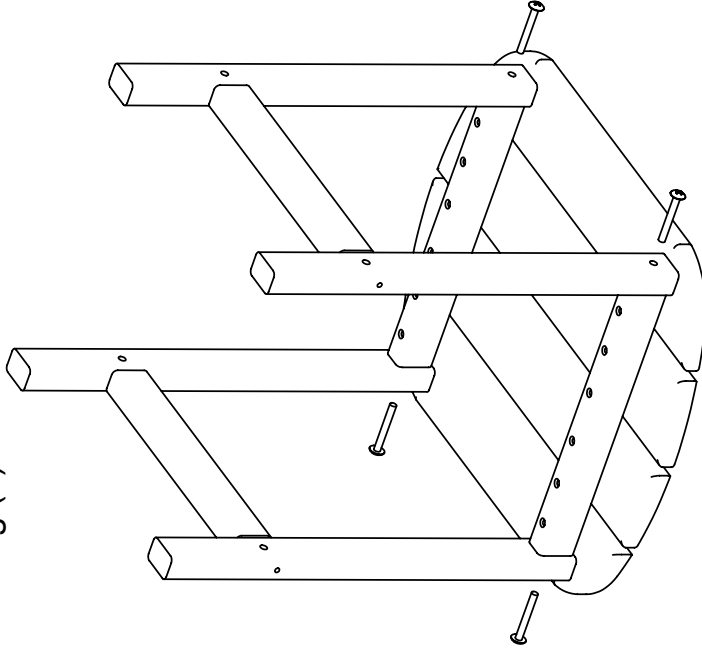
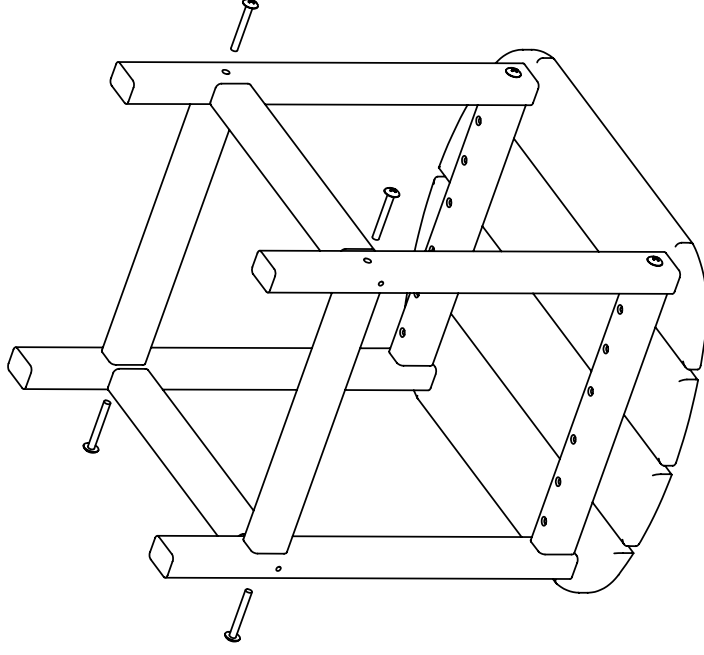


Step 1
Attach sideframes to table top
using (4) 2" screws



Step 2
Attach braces to sideframes
using (4) 2" screws



- (1) Table top
- (2) Sideframes
- (2) Braces
- (1) Hardware pack

TOOLS NEEDED

Phillips head screwdriver

Qty.	Description
8	A - 14x2" Screw

All screws are truss head type B

All hardware is SS