

FIG. 1

Step 1

Slide the leg assemblies together and into the table top.

Step 2

Attach the legs using (4) 8x2 Screws in pre-drilled holes.

Step 3

Connect the braces using (1) 8x1¼ Screw.

- (1) Bottom leg assembly
- (1) Top leg assembly
- (1) Table top

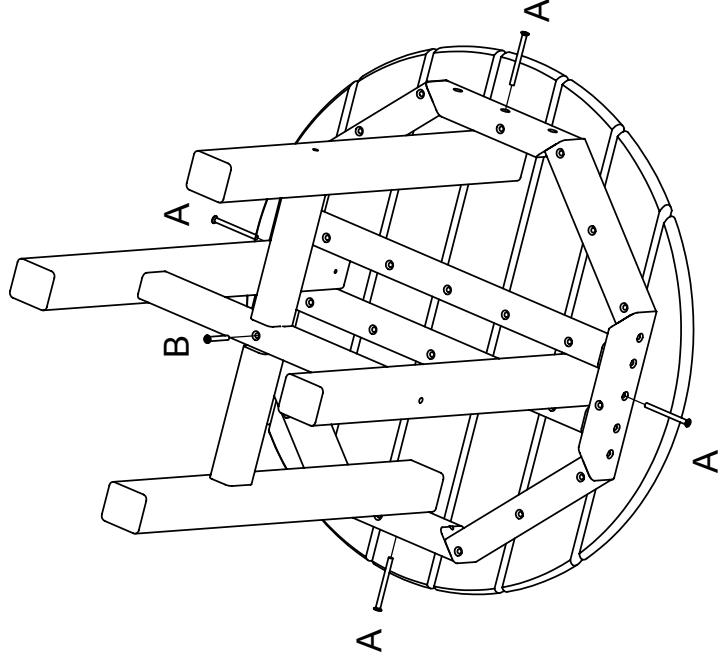


FIG. 2

TOOLS NEEDED

Phillips head screwdriver
A screw gun is recommended

Qty.	Description
4	A - 8x2 Flathead screw
1	B - 8x1¼ Flathead screw