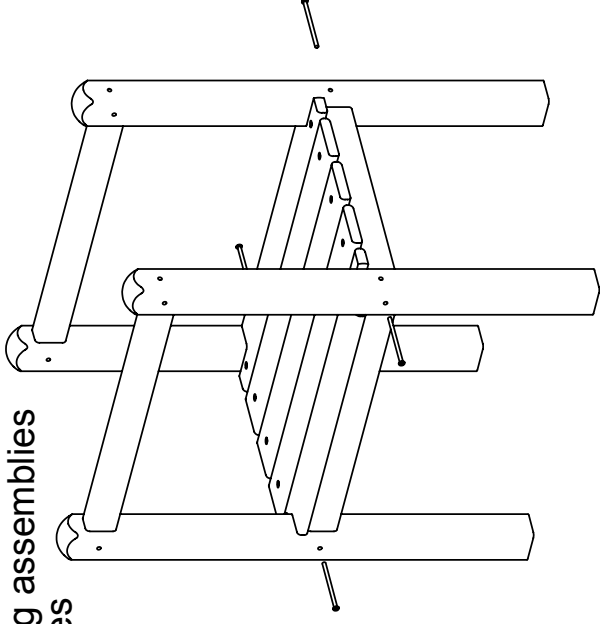


Step 1

Attach a tray to the middle of the leg assemblies by resting tray on the leg assemblies
Uses (4) 8x3 screws

Note:

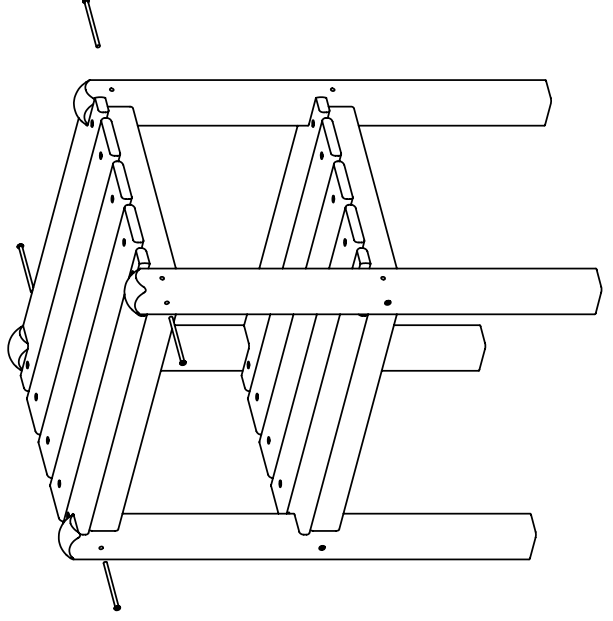
Trays do not have pilot holes.
Screws go directly into Polywood without pilot holes



- (2) Trays
- (2) Leg assembly
- (1) Hardware pack

Step 2

Attach other tray to the top of the leg assemblies.
Uses (4) 8x3 screws



TOOLS NEEDED

Phillips head screwdriver
A screw gun is required

Qty.	Description
8	A - 8 x 3 Screw