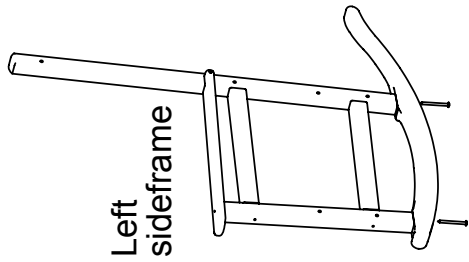
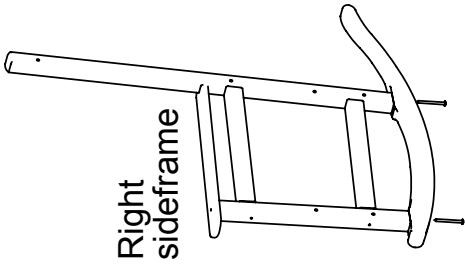


**Step 1**

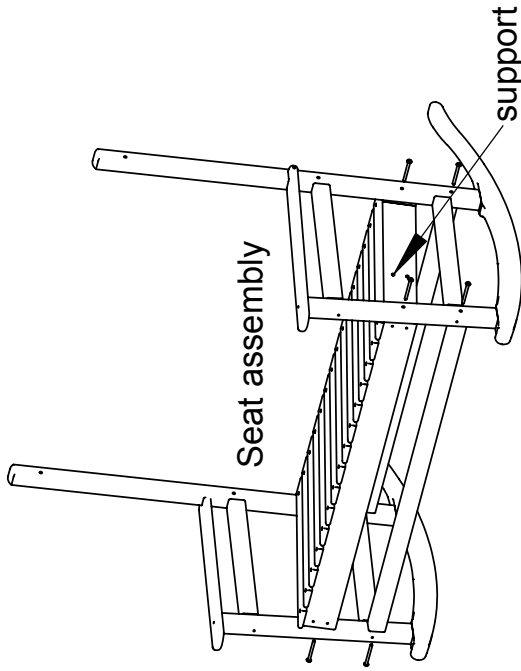
Attach rocker bottoms to sideframes using (4) 3" chair screws



- (1) Seat assembly
- (1) Back assembly
- (2) Sideframes
- (2) Braces
- (2) Rocker bottoms
- (2) Finials \*TWDR ONLY\*
- (1) Hardware pack

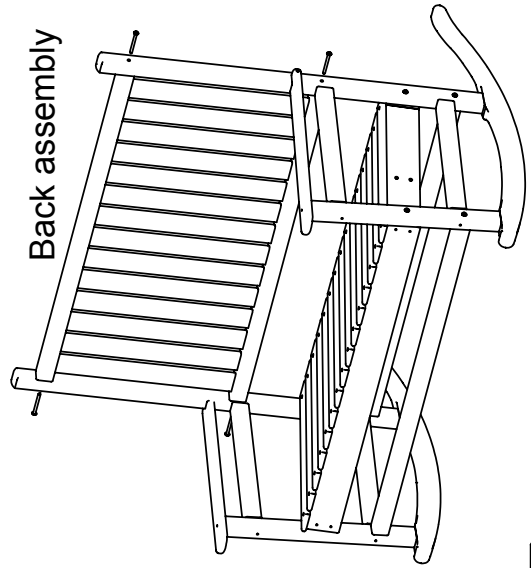
**Step 2**

Attach seat assembly to sideframes using (4) 3" chair screws -Keep support to the front Attach braces to sideframes using (4) 3" chair screws



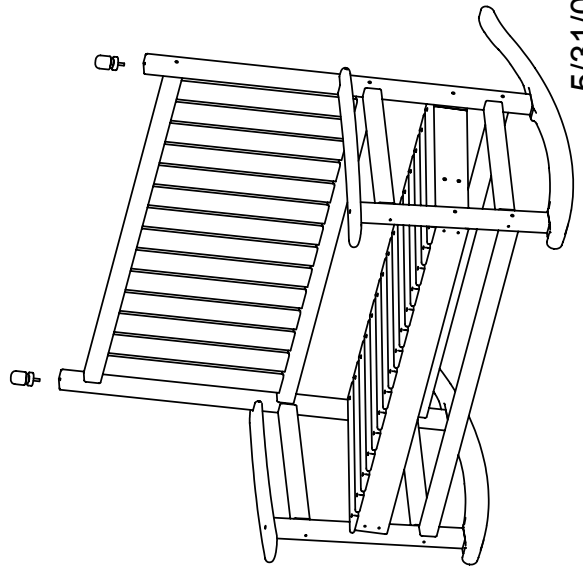
**Step 3**

Attach back assembly to sideframes using (4) 3" chair screws -Keep side with pin nails to the back



**Step 4 \*TWDR ONLY\***

Attach finials on top of sideframes



**TOOLS NEEDED**

4mm HEX KEY: INCLUDED



Qty. Description

16 A - 3" Chair screw

