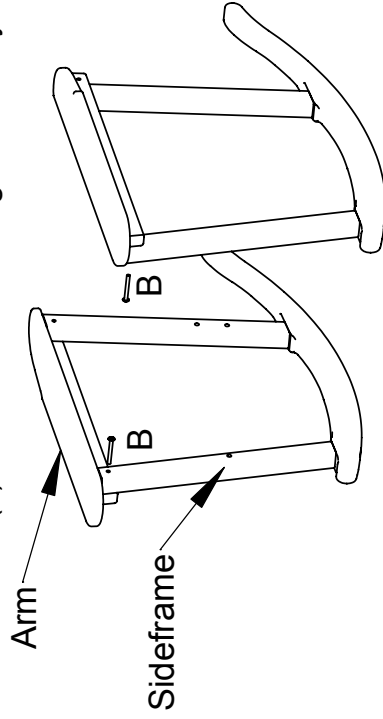


**Step 1**

Attach the arms to the sideframes using (2) 2 1/4" bolts. Do not tighten bolts yet.



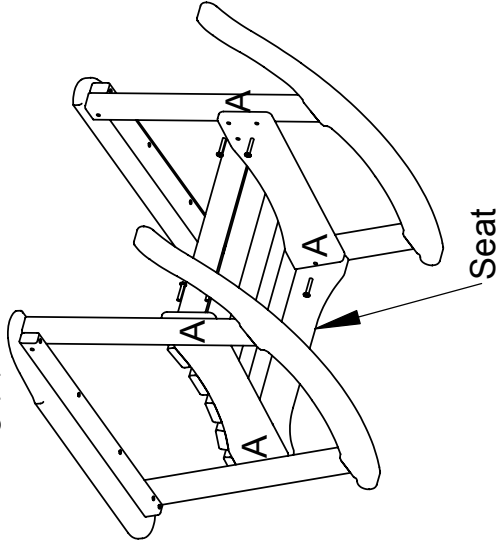
- (2) Sideframes
- (1) Seat
- (1) Back
- (2) Arms
- (1) Hardware pack

**TOOLS NEEDED**

Phillips head screwdriver or 4mm hex key: Included

Qty.	Description
8	A - 1 1/2" Bolt
2	B - 2 1/4" Bolt
2	C - 3 1/4" Bolt

**Step 2**  
Attach the seat to the sideframes using (6) 1 1/2" bolts

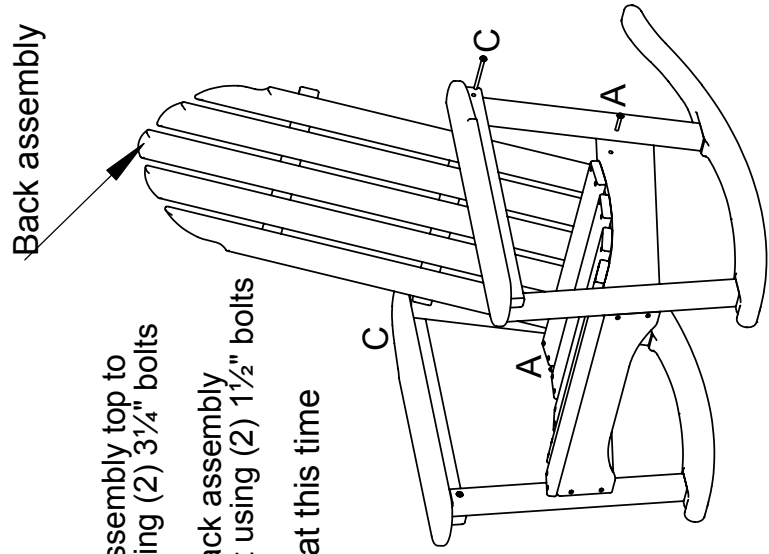


**Step 3**

Attach the back assembly top to the sideframes using (2) 3 1/4" bolts

Next attach the back assembly bottom to the seat using (2) 1 1/2" bolts

Tighten all bolts at this time



ALL BOLTS ARE 1/4"-20