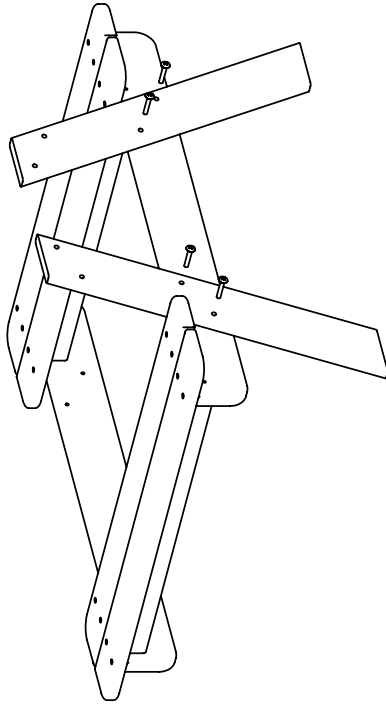


Step 1

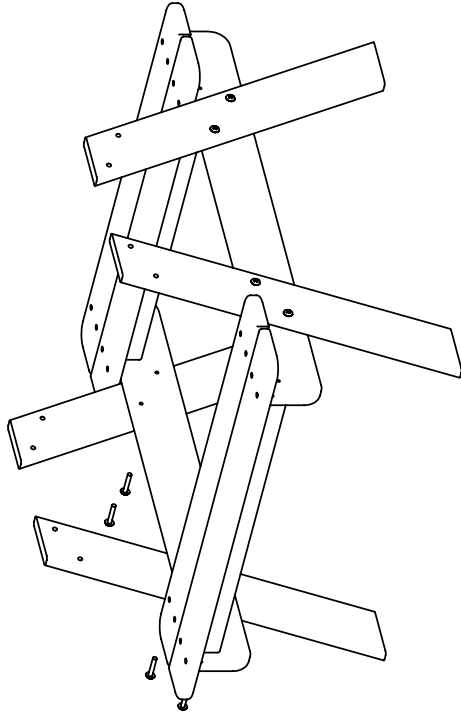
Hold the seat on its side.

Attach legs to seat using (4) 1 1/2" screws.



Step 2

Repeat Step 1 on other side.



- (1) Seat
- (4) Legs
- (1) Table top
- (1) Hardware pack

TOOLS NEEDED

Phillips head screwdriver

Qty.	Description
16	A - 14x1 1/2" Screw

Step 3

Attach table top to legs using (8) 1 1/2" screws

