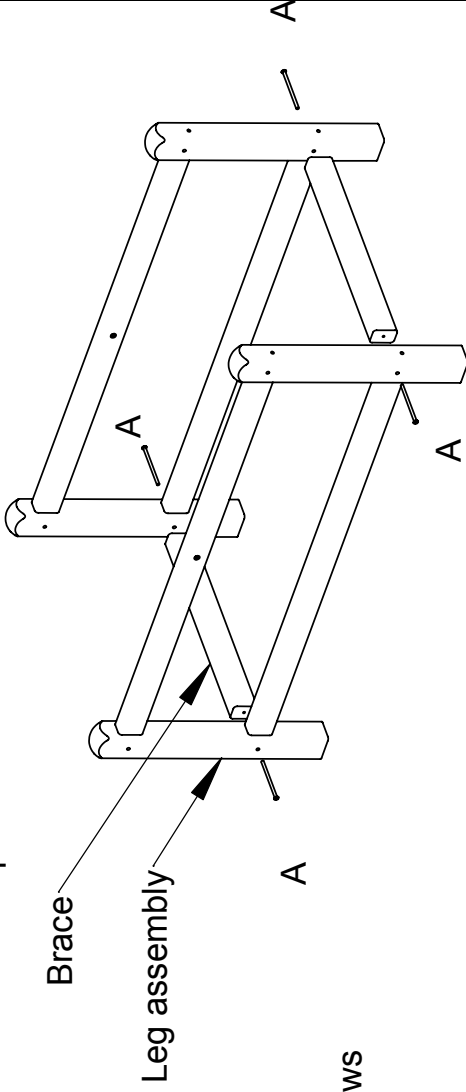
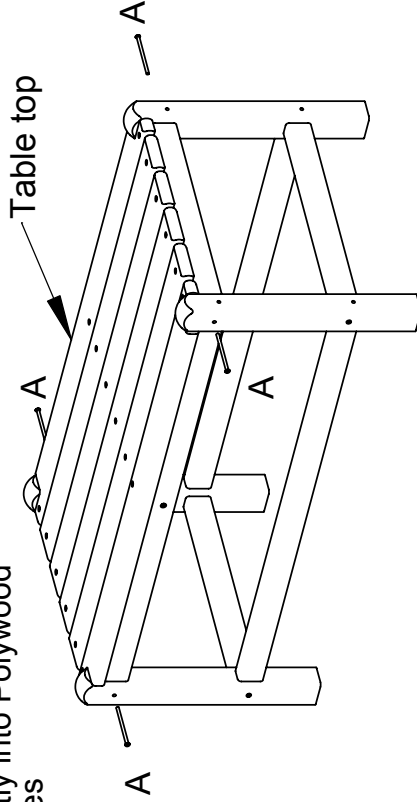


Step 1
 Attach leg assemblies together with braces using (4) 8x3 screws in pre-drilled holes.



Step 2
 Attach table top to leg assemblies by resting table top on leg assemblies. Uses (4) 8x3 screws

Note:
 Table top does not have pilot holes
 Screws go directly into Polywood without pilot holes



- (1) Table top
- (2) Leg assembly
- (2) Brace
- (1) Hardware pack

TOOLS NEEDED

Phillips head screwdriver
 Screw gun is required

Qty.	Description
8	A - 8 x 3 Screw
2	B - 8 x 2 Screw

Step 3
 Secure table top to leg assemblies using (2) 8x2 screws

