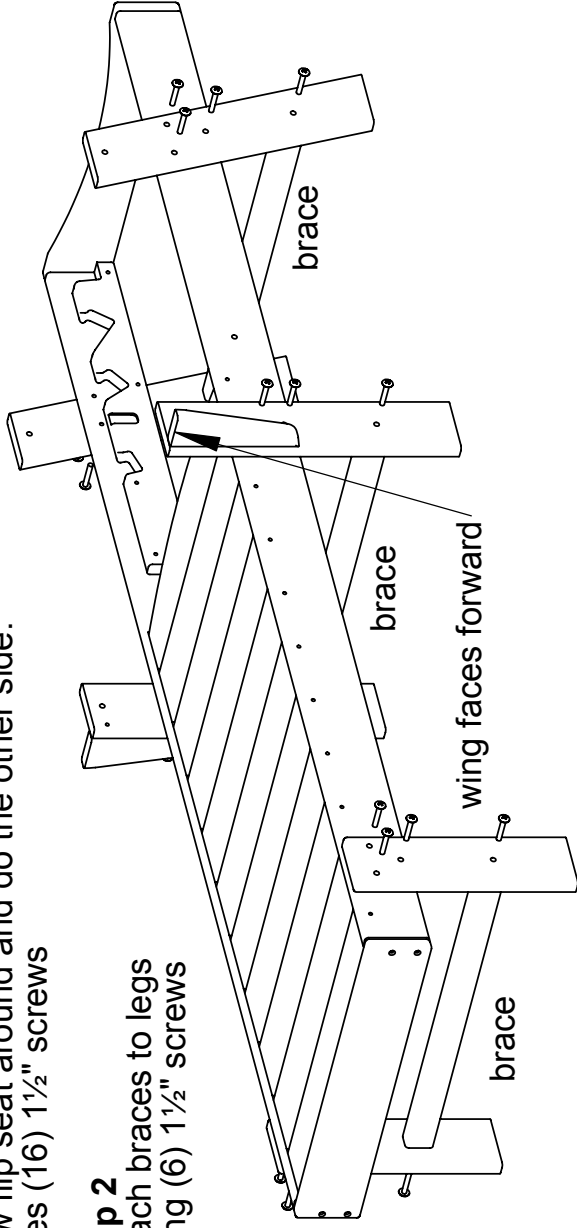


Step 1

Lay seat on its side. Attach legs to seat.
Now flip seat around and do the other side.
Uses (16) 1 1/2" screws

Step 2

Attach braces to legs
using (6) 1 1/2" screws

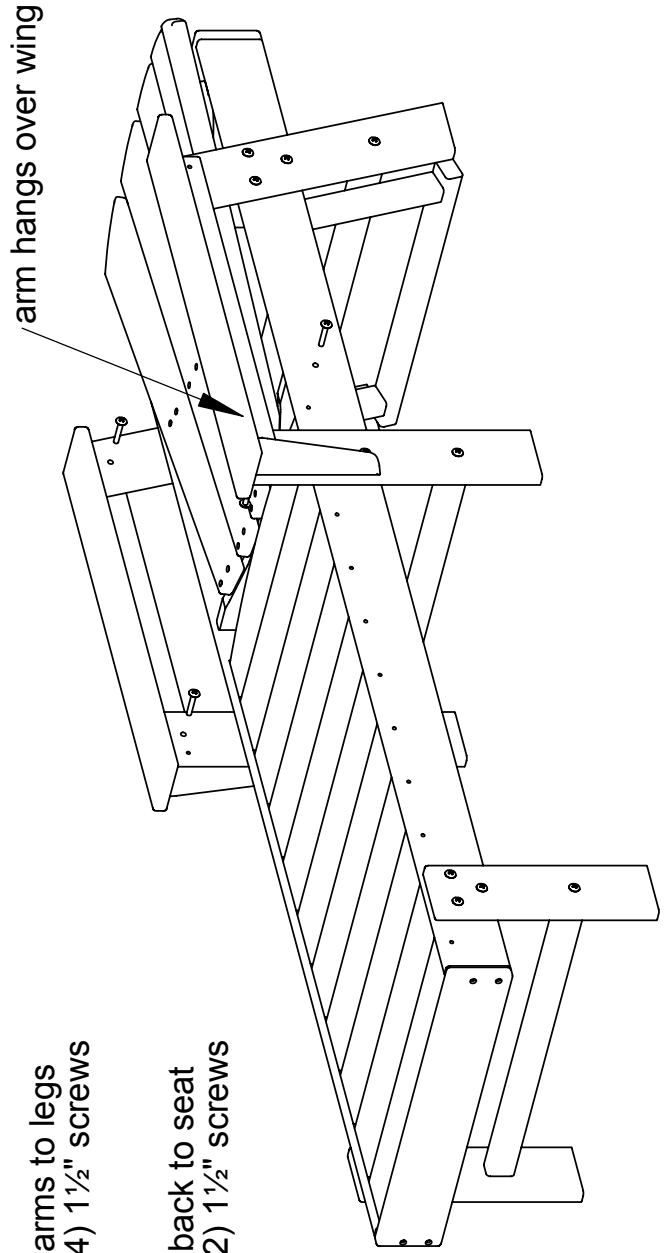


Step 3

Attach arms to legs
using (4) 1 1/2" screws

Step 4

Attach back to seat
using (2) 1 1/2" screws



- (1) Seat
- (1) Back
- (2) Front legs
- (2) Back legs
- (2) Mid legs
- (2) Arms
- (3) Braces
- (1) Hardware pack

TOOLS NEEDED

Phillips head screwdriver

Qty.	Description
28	A - 14x1 1/2" Screw

All screws are truss head type B All hardware is SS