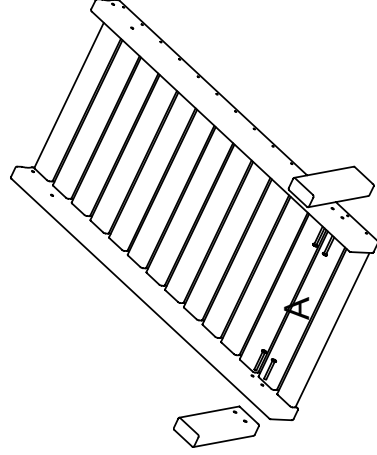


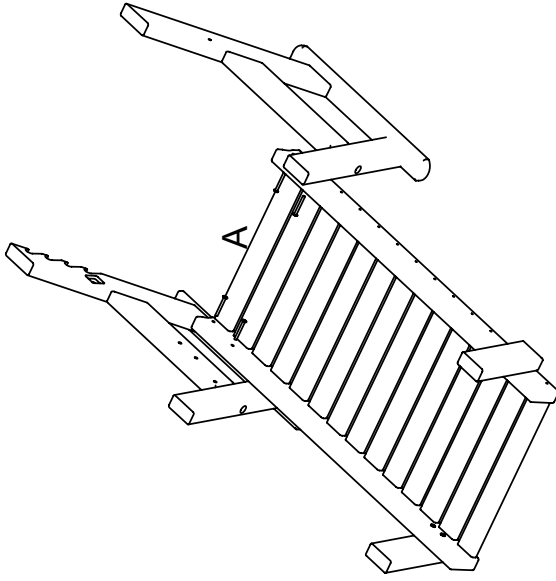
Step 1

Attach Front legs to Seat assembly using
(4) 2 1/4" Chair bolts



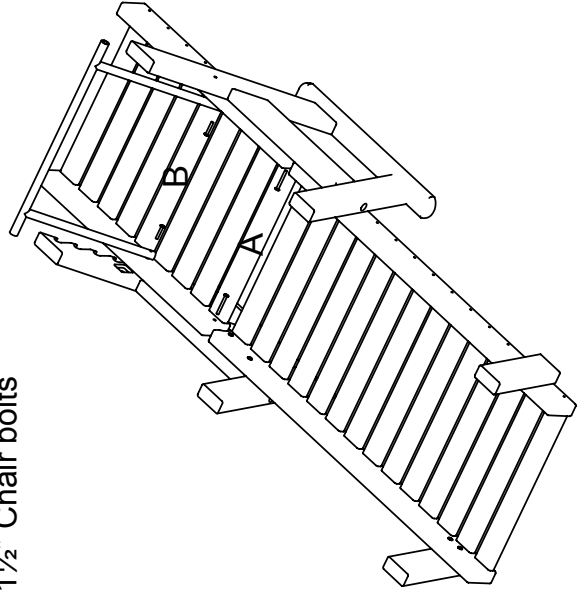
Step 2

Attach Sideframes to Seat assembly using
(4) 2 1/4" Chair bolts



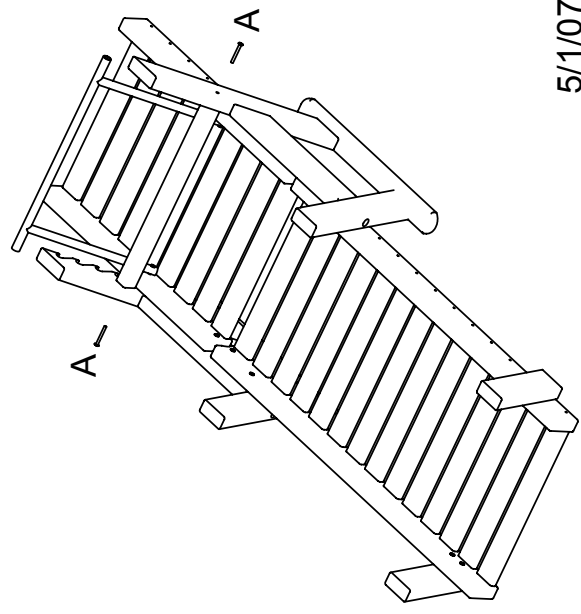
Step 3

Attach Back assembly to sideframes using
(2) 2 1/4" Chair bolts
Attach Metal brace to Back assembly using
(2) 1 1/2" Chair bolts

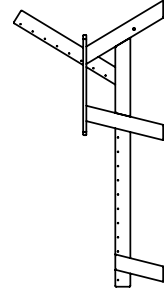


Step 4

Attach brace to sideframes using
(2) 2 1/4" Chair bolts

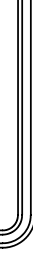


- (2) Sideframes
- (1) Back
- (1) Metal brace
- (1) Seat
- (2) Front legs
- (1) Brace
- (1) Hardware pack



TOOLS NEEDED

4mm HEX KEY: INCLUDED



Qty.	Description
12	A - 2 1/4" Chair Bolt
2	B - 1 1/2" Chair Bolt

All bolts 1/4-20