

Garden

- (1) Seat
- (1) Back
- (2) Sideframe
- (1) Hardware pack

**TOOLS NEEDED**

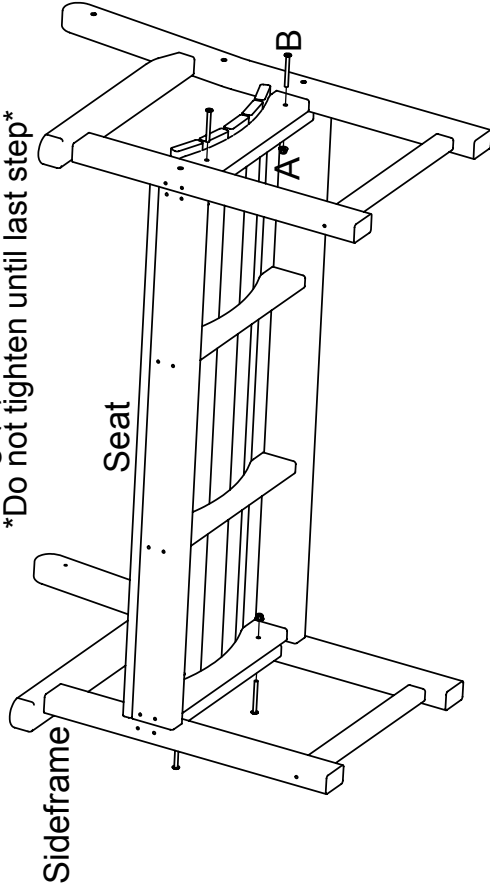
- 7/16 wrench
- Phillips head screwdriver or 4mm hex key: Included (screw gun is required)



Qty.	Description
4	A - 1/4" lock nut
4	A - 1/4" washer
4	B - 2 1/2" bolt
8	C - 10x3" painted screw

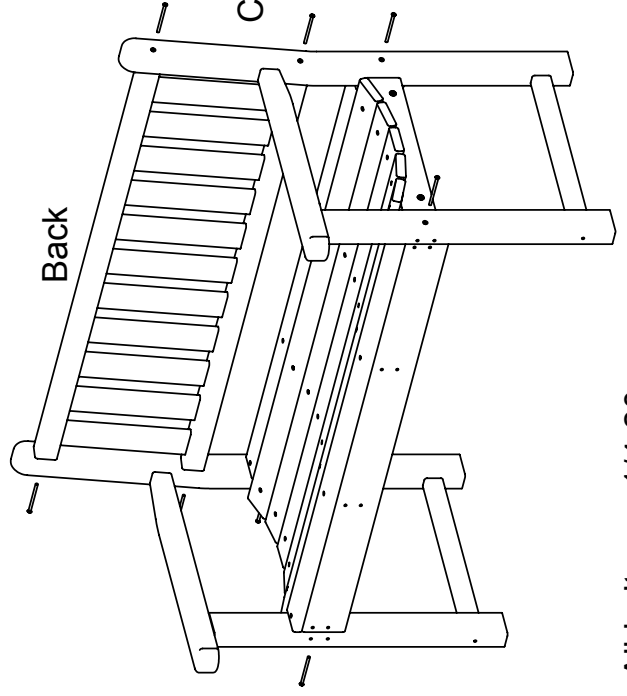
**Step 1**

Attach the seat to the sideframes using (4) 2 1/2" bolts with washers and nuts  
 \*Do not tighten until last step\*



**Step 2**

Attach seat and back to sideframes using (4) 10x3 screws  
 \*Tighten all fasteners at this time\*



All bolts are 1/4-20