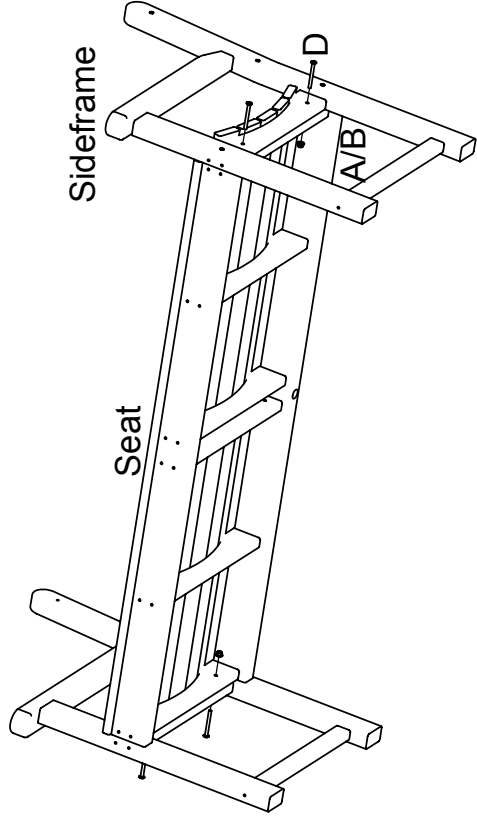


**Step 1**

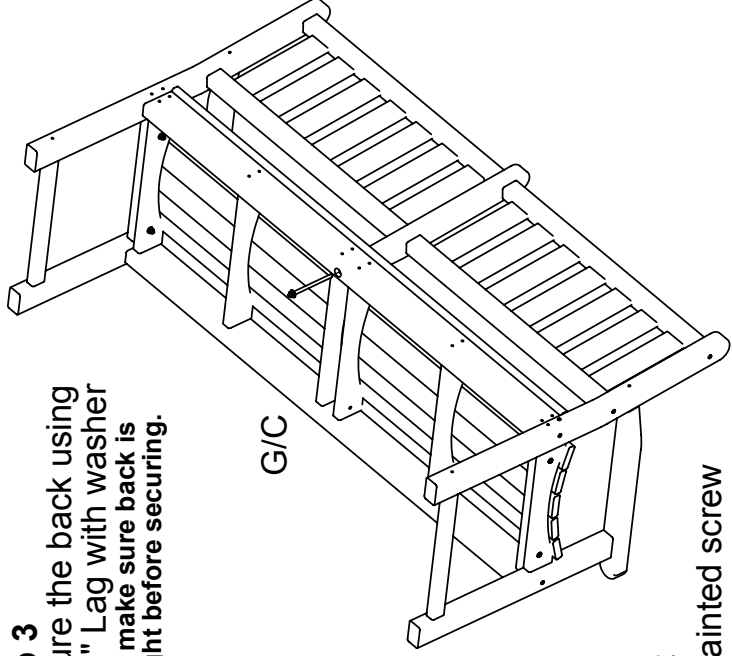
Attach the seat to the sideframes using (4) 2½" bolts with washers and nuts  
\*Do not tighten until final step\*



- (1) Seat
- (1) Back
- (2) Sideframes
- (1) Center leg
- (1) Hardware pack

**Step 3**

Secure the back using (1) 5" Lag with washer  
Note: make sure back is straight before securing.



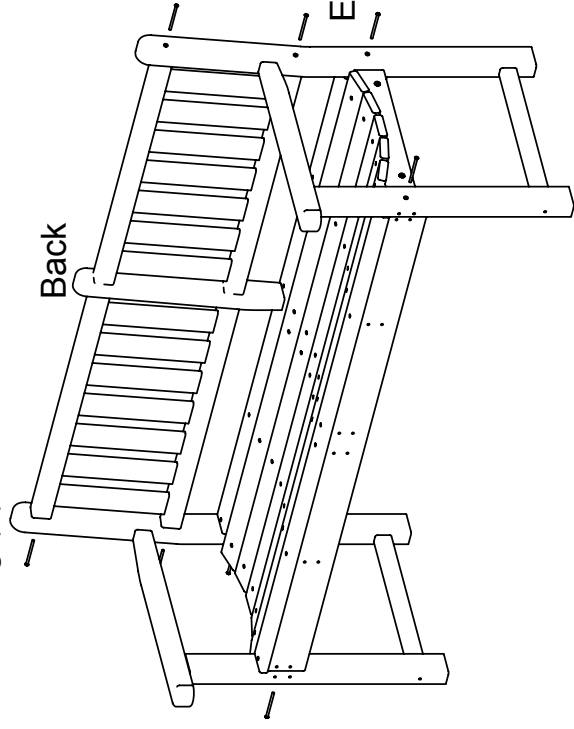
**TOOLS NEEDED**

- 7/16" wrench
- 1/2" socket
- Phillips head screwdriver or 4mm hex key: Included (screw gun is required)

Qty.	Description
4	A - 1/4" lock nut
6	B - 1/4" washer
1	C - 5/16" washer
4	D - 2½" bolt
8	E - 10x3" painted screw
2	F - 1/4x3" Lag
1	G - 5/16x5" Lag

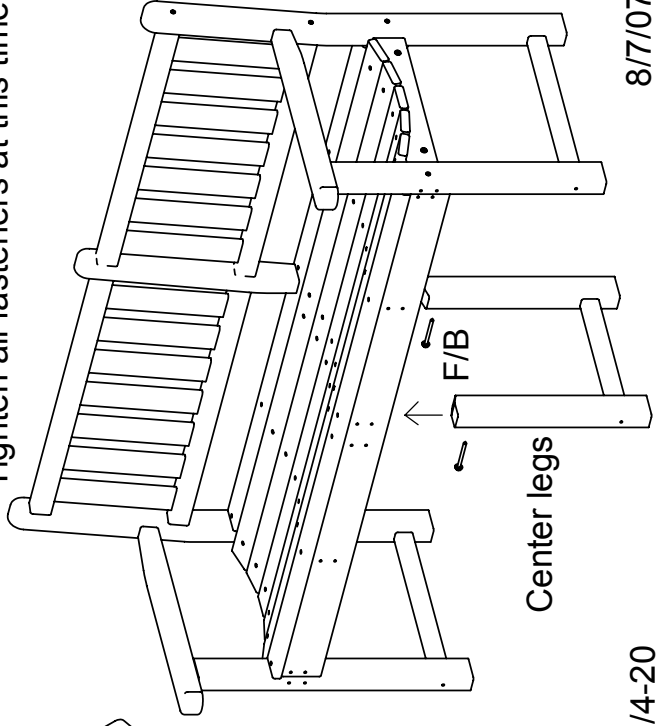
**Step 2**

Attach the back and seat to the sideframes using (8) 10x3 screws



**Step 4**

Attach the center legs to the seat using (2) 3" Lags with washers  
\*Tighten all fasteners at this time\*



All bolts are 1/4-20

8/7/07