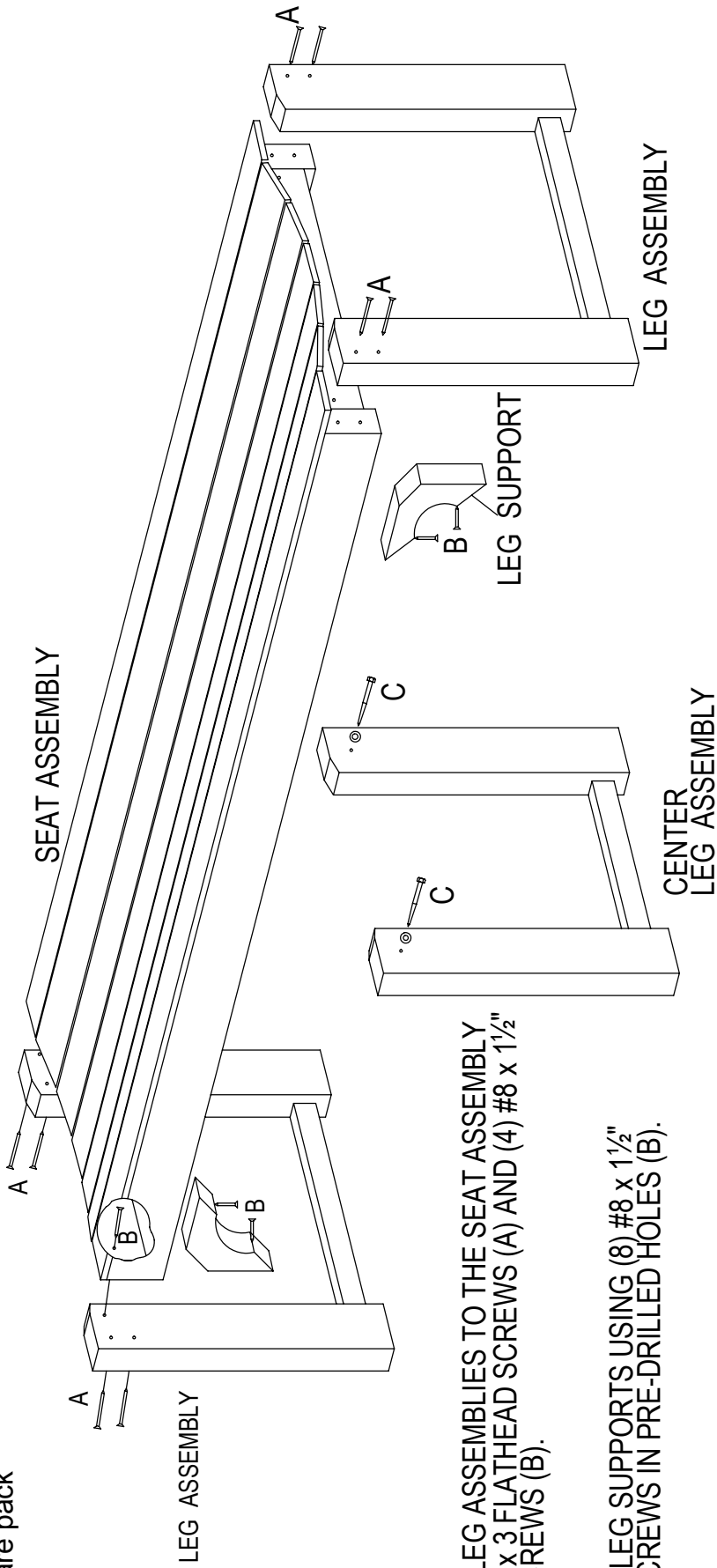


- (1) Seat
- (2) Leg assembly
- (1) Center leg assembly
- (4) Leg support
- (1) Hardware pack



**STEP 1**  
 ATTACH THE LEG ASSEMBLIES TO THE SEAT ASSEMBLY USING (8) #10 x 3" FLATHEAD SCREWS (A) AND (4) #8 x 1 1/2" FLATHEAD SCREWS (B).

**STEP 2**  
 ATTACH THE LEG SUPPORTS USING (8) #8 x 1 1/2" FLATHEAD SCREWS IN PRE-DRILLED HOLES (B).

**STEP 3**  
 ATTACH THE CENTER LEG AND SUPPORTS USING (2) 3" LAG BOLTS AND WASHERS (C).

LETTER	QTY.	DESCRIPTION
A	8	#10 x 3" FLATHEAD SCREWS
B	12	#8 x 1 1/2" FLATHEAD SCREWS
C	2	3" LAG BOLTS
C	2	1/4" WASHERS

TOOLS NEEDED  
 PHILLIPS HEAD SCREWDRIVER  
 SCREW GUN IS REQUIRED