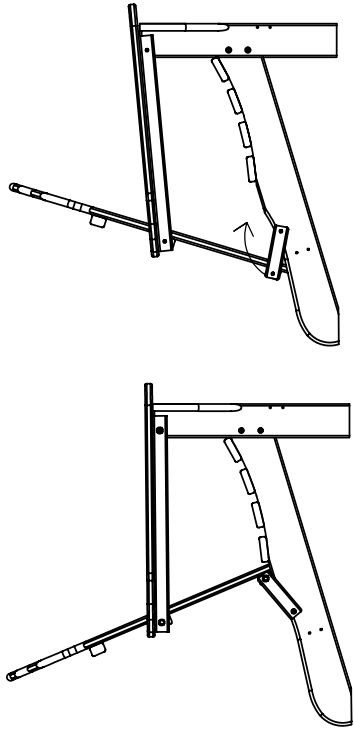


Assembly Instructions

Model: AD5030

Step 1

Unfold chair assembly



Step 2

Insert (4) 2 1/4" bolts, washers and locknuts into pre-drill holes

Chair

Hardware pack

TOOLS NEEDED

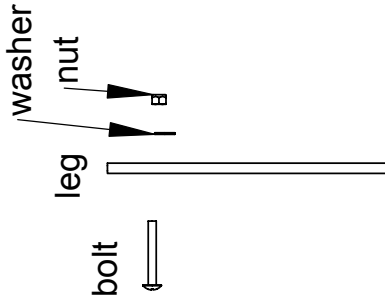
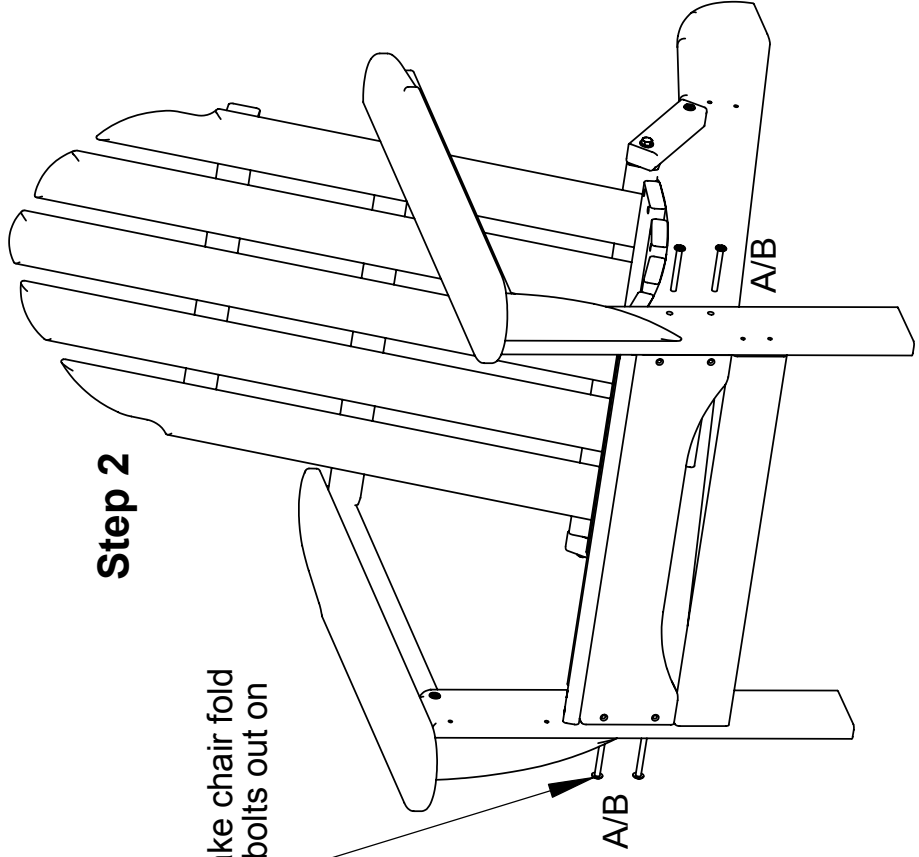
- 7/16 wrench
- Phillips head screwdriver or 4mm hex key



Qty.	Description
4	A - 2 1/4" Bolt
4	B - 1/4" Washer
4	B - 1/4" Lock nut

Step 2

Note: to make chair fold take upper bolts out on both sides



All bolts are 1/4-20