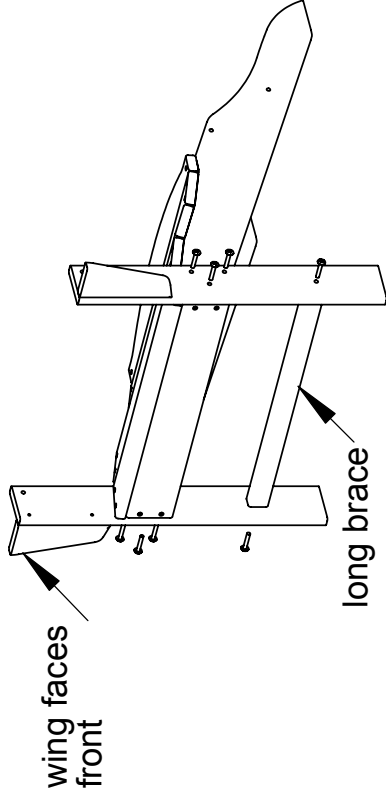


**Step 1**

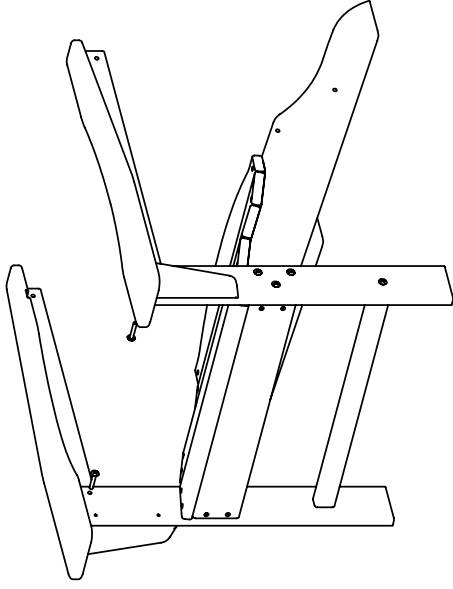
Attach front legs to seat using (6) 1 1/2" screws

Attach long brace using (2) 1 1/2" screws



**Step 2**

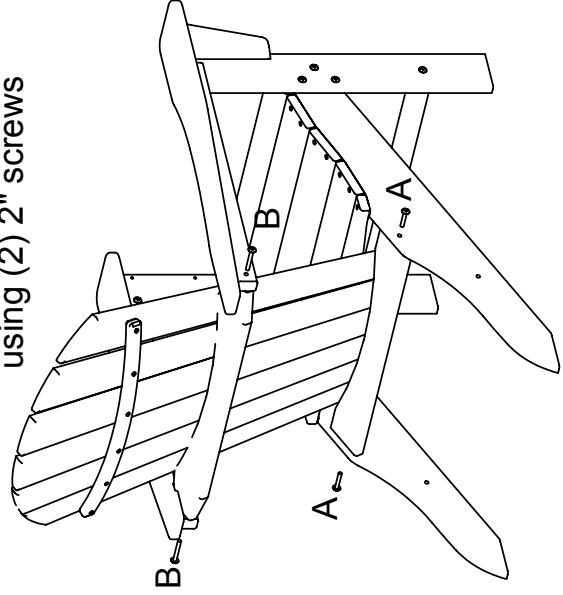
Attach arms to front leg using (2) 1 1/2" screws



**Step 3**

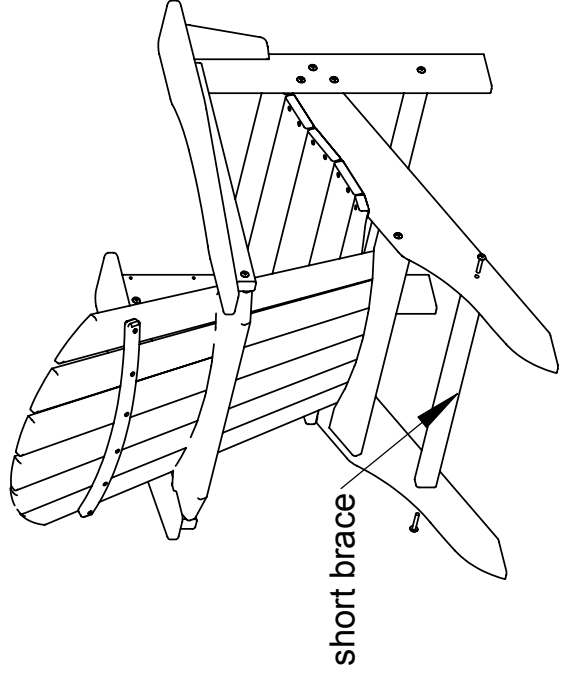
Attach back to seat using (2) 1 1/2" screws

Attach back to arm using (2) 2" screws



**Step 4**

Attach short brace to rear leg using (2) 1 1/2" screws



- (1) Seat
- (1) Back
- (2) Front legs
- (2) Arms
- (1) Long brace
- (1) Short brace
- (1) Hardware pack

**TOOLS NEEDED**

Phillips head screwdriver

Qty.	Description
14	A - 14x1 1/2" Screw
2	B - 14x2" Screw

All screws are truss head type B

All hardware is SS