

STEP 1
UNFOLD THE LEFT AND RIGHT CHAIR ASSEMBLIES FIG. 1.

INSERT (8) 2" BOLTS, NUTS AND

WASHERS "C" TWO ON EACH SIDE. FIG. 2

SET THEM SIDE BY SIDE WITH THE ARM RESTS ON THE OUTSIDES.

STEP 2
ATTACH THE TABLE TO THE LEFT AND RIGHT CHAIR ASSEMBLIES USING

(2) 3" LAG BOLTS "B" AND (2) 3" BOLTS, NUT

AND WASHERS "C" AND (2) #8 X 2 FLAT HEAD SCREWS "D"

IN PRE-DRILLED HOLES.

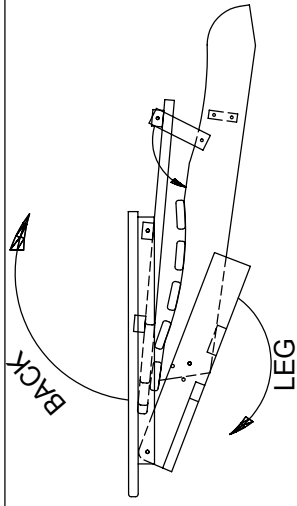


FIG. 1

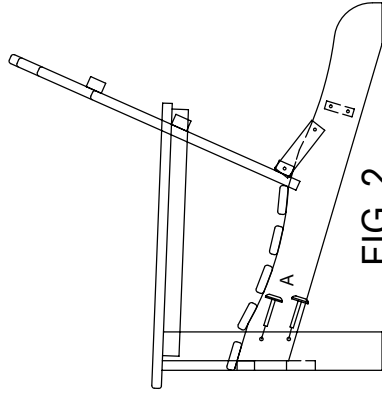


FIG. 2

- (1) Left chair
- (1) Right chair
- (1) Table top
- (1) Hardware pack

TOOLS NEEDED

Phillips head screwdriver

or 5/32" hex key: Included

7/16" Socket wrench

Screw gun is required

LETTER	QTY.	DESCRIPTION
A	8	2" BOLTS
B	2	3" LAG BOLTS
C	2	3" BOLTS
C	12	1/4" FLAT WASHER
C	10	1/4-20 LOCK NUT
D	2	#8 X 2 FLAT HEAD SCREWS

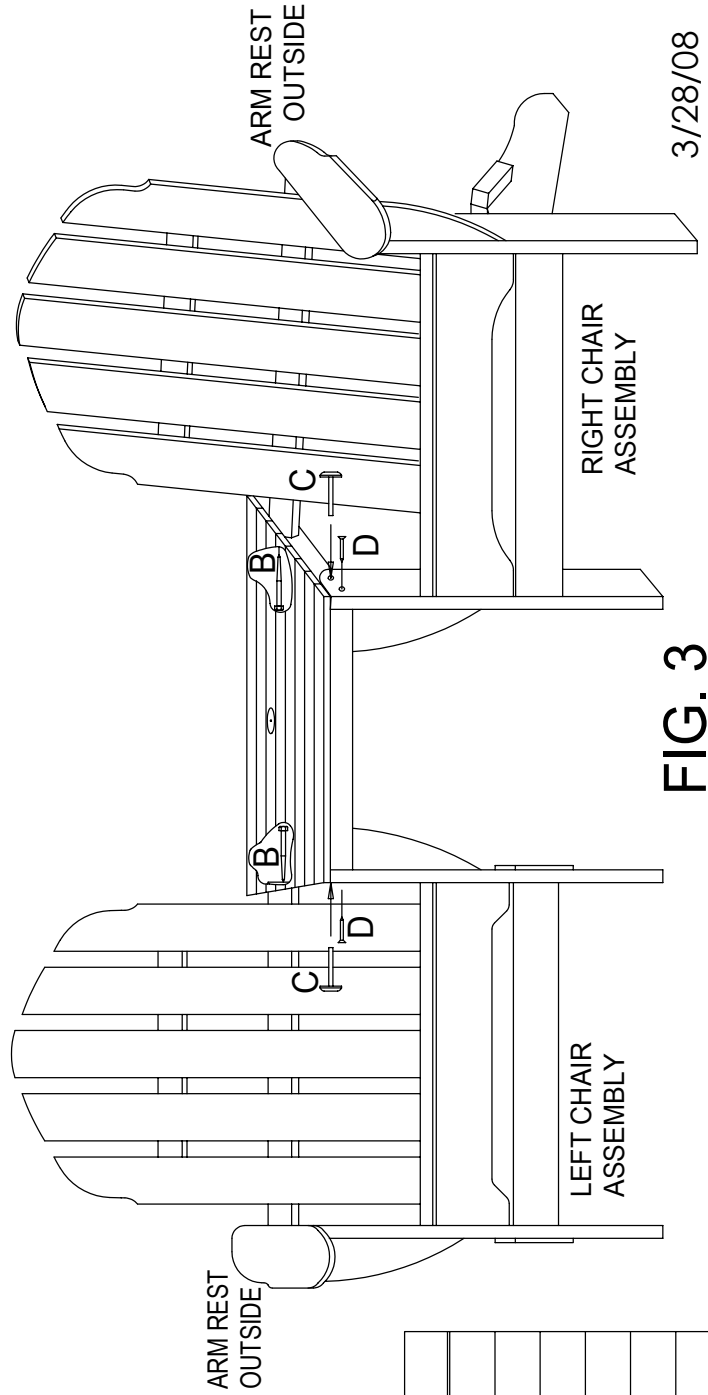


FIG. 3

3/28/08